

**Product Datasheet model uvex hypervision CB 9321 906**

**UVEX ARBEITSSCHUTZ GMBH, Würzburger Str. 181-189,  
D-90766 Fürth**


**1. Product Characteristics**

- **fashionable goggles** with unrestricted field of vision
- cellulose acetate lens (impact category F=45m/s) for excellent chemical protection
- **soft nose** adapts smoothly to different face shapes
- **CB (Custom Bridge) version** for Asian fit
- **indirect ventilation** system helps to prevent fogging
- **inclination of headband** offers perfect fit
- **OTG** (can be worn over prescription spectacles)
- highly compatible with other items of PPE

**2. Technical Details Frame****Frame**

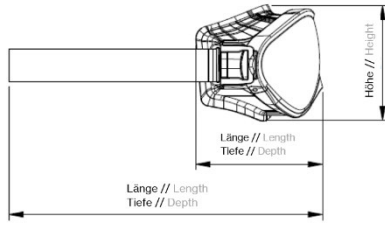
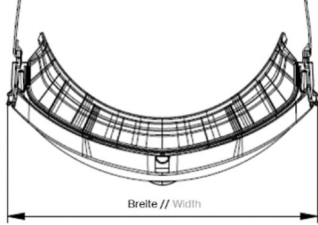
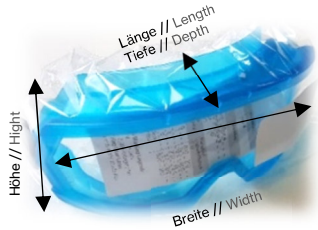
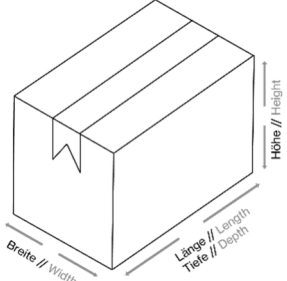
Material	PVC
Version	indirect ventilation
Colour	translucent blue

<b>Headband</b>	
Material	textile headband
Features	individually adjustable, exchangeable
Colour	blue, anthracite
<b>Marking</b>	
Manufacturer 's ID code	W
Applicable EN norm	166
Field of use	3 (drops and splashes of liquid) 4 (large dust particles)
Impact resistance	F (45 m/s)
Resistance to high speed particles at extremes of temperature	T
Conformity symbol	CE

<b>3. Technical Details Lens</b>	
Material	CA
Thickness	1.2 mm at PD
Coating	antifog inside
Colour	clear
UV protection	UV 380
<b>Marking</b>	
Filter	2C-1,2 (EN 170)
Manufacturer 's ID code	W
Optical class	1
Impact resistance	F (45 m/s)
Resistance to high speed particles at extremes of temperature	T
Antifog	N
Conformity symbol	CE
Factory symbol	

## 4. Logistical Information

### Product

Weight	94g	
Dimensions (L x W x H) in approx. mm	  <p style="text-align: right; font-size: small;">picture only for reference</p>	
	84 x 191 x 90	
Length total (incl. Headband)	210 x 191 x 95 approx. mm	
	<b>Packing unit 1</b>	<b>Packing unit 2</b>
EAN Code	4031101867618	4031101867618
Quantity in pcs.	1	70
Dimensions (L x W x H) in approx. mm	  <p style="text-align: center; font-size: small;">picture only for reference</p>	
	85 x 210 x 90	600 x 400 x 400
Net weight in approx. g	94	6,580
Gross weight in approx. g	103	7,480
Country of Origin	Germany	

## 5. Accessories

### Replacement Headband



Material number	9321011
Material headband	textile headband
Material headband slider	PBT
Features	individually adjustable
Colour	blue, anthracite

### Replacement Lens



Material number	9321955
Material	CA
Coating	antifog inside
Colour	clear

## 6. Miscellaneous

Standards	EN 166 + EN 170
PPE Category	Category II