

Product Datasheet model uvex megasonic 9320 470

**UVEX ARBEITSSCHUTZ GMBH, Würzburger Str. 181-189,
D-90766 Fürth**

1. Product Characteristics

- functional safety goggle in ski goggle design with a truly panoramic field of vision
- unique frameless lens design for edge-to-edge optical clarity and increased safety
- soft, adaptive face seal providing a universal fit for different head and facial shapes as well as a tight fit without pressure points
- generous internal volume to accommodate prescription spectacles and frame recesses to locate the side arms ensuring a comfortable fit
- reduced, indirect ventilation system
- length-adjustable 30 mm wide textile headband for optimal low pressure hold and individual adaptability
- robust polycarbonate lens with uvex's proven supravision coating technology – permanent anti-fog and scratch-resistant lens
- UV400 – 100 % protection against dangerous UV radiation up to 400 nm
- a sustainable benefit: headband can be replaced when required
- metal-free

2. Technical Details Body

Frame

Material	TPE
Version	Reduced ventilation (top vents closed)
Colour	anthracite


Headband

Material	textile headband
Features	individual adjustable, exchangeable
Colour	blue, anthracite

Marking

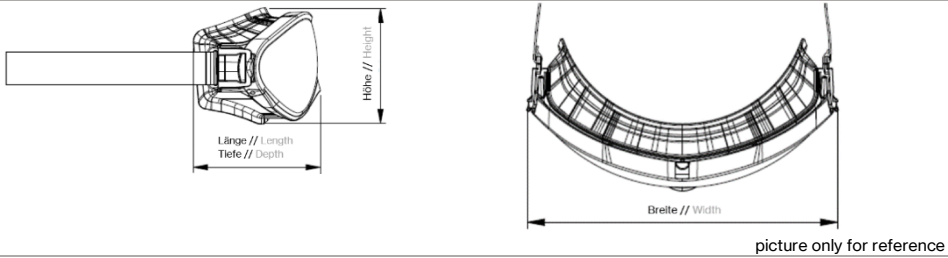

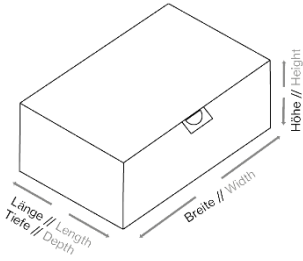
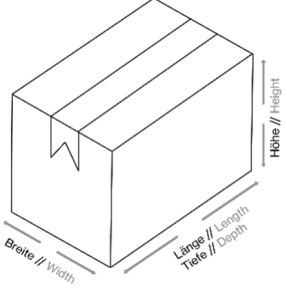
Manufacturer 's ID code	W
Applicable EN norm	166
Field of use	3 (drops and splashes of liquid) 4 (large dust particles)
Impact resistance	B (120 m/s)
Resistance to high speed particles at extremes of temperature	T
Conformity symbol	CE

3. Technical Details Lens

Material	PC
Thickness	2.4 mm at PD
Coating	uvex supravision extreme
Colour	clear
UV protection	UV400
Marking	
Filter	2C-1.2 (EN 170)
Manufacturer 's ID code	W
Optical class	1
Impact resistance	B (120 m/s)
Resistance to high speed particles at extremes of temperature	T
Scratch resistance	K
Antifog	N
Conformity symbol	CE
Factory symbol	

4. Logistical Information

Product

Weight	98g		
Dimensions (L x W x B) in approx. mm			
	85 x 193 x 85		
	Packing unit 1	Packing unit 2	Packing unit 3
EAN Code	4066853019077	4066853019084	4066853019091
Quantity in pcs.	1	4	64
Dimensions (L x W x H) in approx. mm			
	85 x 193 x 85	185 x 290 x 97	600 x 400 x 400
Net weight in approx. g	98	392	6,272
Gross weight in approx. g	117	570	10,040
Country of Origin	Germany		

5. Accessories

Replacement Headband



Material number	9320011
Material headband	textile headband
Material headband slider	PBT
Features	individually adjustable
Colour	blue, anthracite

6. Miscellaneous

Standards	EN 166 + EN 170
PPE Category	Category II