

Product Datasheet model uvex super OTG guard CB 9142 100



**UVEX ARBEITSSCHUTZ GMBH, Würzburger Str. 181-189,
D-90766 Fürth**

1. Product Characteristics


- hybrid system: product can be offered / worn with temples or headband – **individually adaptable** for each workplace
- **OTG** (overspecs for prescription wearers)
- **CB (Custom Bridge) version** for Asian fit
- panoramic lens with integrated side protection and guard for **wide field of vision** and **optimum coverage**
- uvex coating competence
- soft adaptive face seal

2. Technical Details Frame

| Frame | |
|----------|----------------------|
| Material | PP/TPE |
| Version | indirect ventilation |
| Colour | anthracite, blue |

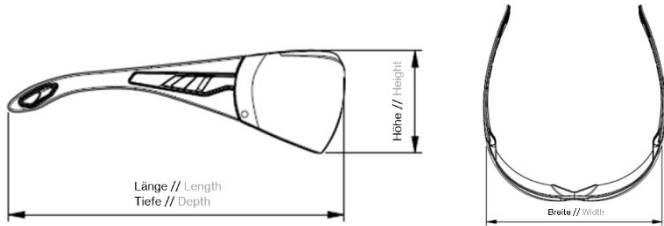
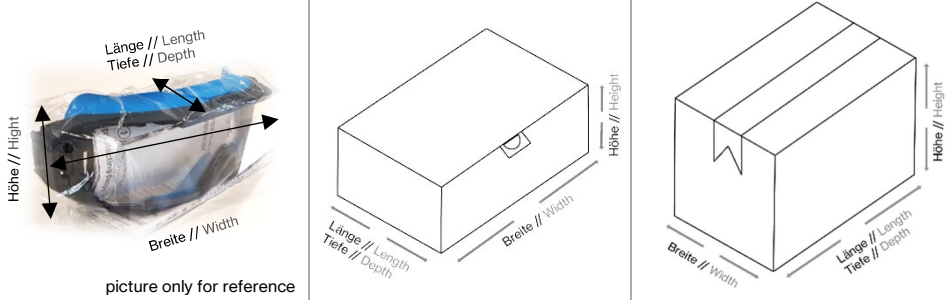
| Marking | |
|---|--|
| Manufacturer 's ID code | W |
| Applicable EN norm | 166 |
| Field of use | 3 (drops and splashes of liquid) 4 (large dust particles) |
| Impact resistance | F (45 m/s) |
| Resistance to high speed particles at extremes of temperature | T |
| Conformity symbol | CE |
| Temple | |
| Material | PC/TPU |
| Colour | anthracite |
| Marking | |
| Manufacturer 's ID code | W |
| Applicable EN norm | 166 |
| Impact resistance | F (45 m/s) |
| Resistance to high speed particles at extremes of temperature | T |
| Conformity symbol | CE |

| 3. Technical Details Lens | |
|---|--------------------------|
| Material | PC |
| Thickness | 2.1 mm at PD |
| Coating | uvex supravision extreme |
| Colour | clear |
| UV protection | UV400 |
| Marking | |
| Filter | 2C-1,2 (EN 170) |
| Manufacturer 's ID code | W |
| Optical class | 1 |
| Impact resistance | F (45 m/s) |
| Resistance to high speed particles at extremes of temperature | T |

| | |
|--------------------|---|
| Scratch resistance | K |
| Antifog | N |
| Conformity symbol | CE |
| Factory symbol |  |

4. Logistical Information

Product

| | | | |
|---|--|-----------------------|-----------------------|
| Weight | 74g | | |
| Dimensions (L x W x B) in approx. mm |  <p style="text-align: right;">picture only for reference</p> | | |
| | 182 x 178 x 75 | | |
| | Packing unit 1 | Packing unit 2 | Packing unit 3 |
| EAN Code | 4031101867694 | 4031101867694 | 4031101867694 |
| Quantity in pcs. | 1 | 4 | 72 |
| Dimensions (L x W x H) in approx. mm |  <p style="text-align: center;">picture only for reference</p> | | |
| | 80 x 178 x 75 | 185 x 290 x 78 | 600 x 400 x 400 |
| Net weight in approx. g | 74 | 296 | 5,328 |
| Gross weight in approx. g | 86 | 439 | 8,802 |
| Country of Origin | Germany | | |

5. Accessories

Headband



| | |
|--------------------------|-------------------------|
| Material number | 9142106 |
| Material headband | textile headband |
| Material headband slider | PBT |
| Features | individually adjustable |
| Colour | blue, anthracite |

Replacement Temples



| | |
|-----------------|------------|
| Material number | 9142105 |
| Material | PC/TPU |
| Colour | anthracite |

6. Miscellaneous

| | |
|--------------|-----------------|
| Standards | EN 166 + EN 170 |
| PPE Category | Category II |